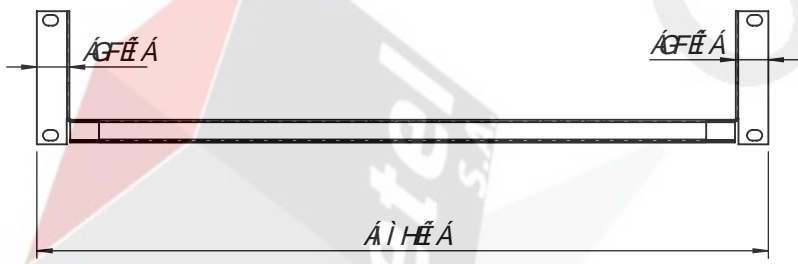
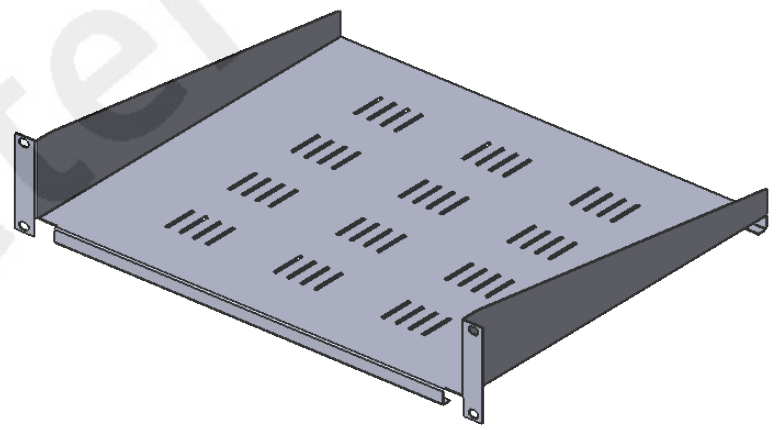
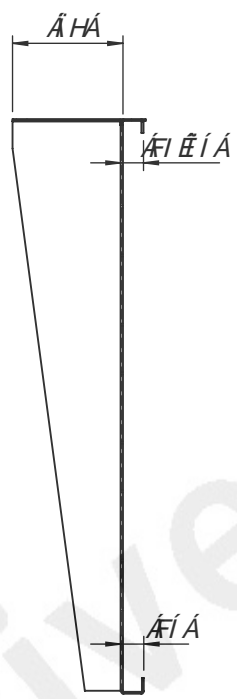
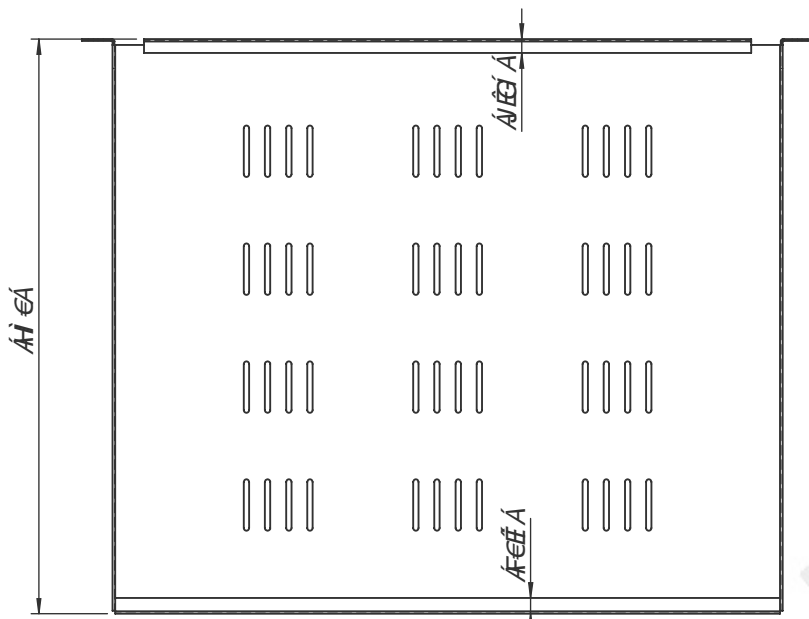


DFCDF-9H5FM588-7CB-89BH5@  
 5B\FE9F-C@H-HB-B-DFHUCF5G5N<C@K-#C1H1H-9K1H1H9B DPA 6G6B.C.  
 C@9H9@G-6DFC<6H8@  
 DFCDF-9H5FM588/5@H#-#-HGF-909F19@

DFCDF-98589-97CB-89B7-5@8589  
 5B\FE9F-C@H-HB-B-DFHUCF5G5N<C@K-#C1H1H-9K1H1H9B DPA 6G6B.C.  
 C@9H9@G-6DFC<6H8@  
 DFCDF-98589-97CB-89B7-5@8589



<p>olivettel s.a.        8YdUfHLa Ybhc XY Dfc^YVtc        Dfc^YVW8YdUfHa Ybh        Dfc^Y_h5VhY[i b[</p>	<p>DFC&gt;97HC.        Dfc^YVW#Dfc^Y_h  <b>97CF57?</b>        DFUHY`Y]FU Wda ", \$a a `XY`dfcZi bX]XUXY        ', \$a a `XYdH` g.Y`Z</p>	<p>A5H9F-5@        K Yf_gcZZ 7\UdU`XY U, c        G.YYhgY`Y`</p> <p>HfUfHa Ybhc XY G dYfZM`Y        G fZM`Y : ]b]g ]b] #CVfZUW`Y`Y.        5bhFUW`Y`Y f]Ya Y`UbhY`UF5@-\$\$) E ci :F5@+,\$` )        5bhFUW`Y`Y f]gja ] Uf`c F5@-\$\$) E c f F5@+,\$` )</p>
<p>9G75@5. % HcXUg UgX]a Ybg`YgYa `a a        Wj a@A0@ @aA (</p> <p>BCA 9 85H5        BUa Y 8UH#8UH a</p> <p>DFC&gt;97H58C.        8Yg] b Vm &amp;(!%@&amp;\$%*        Dfc^Y_h</p> <p>89G9B&lt;58C.        8Fuk b Vm : A &amp;(!%@&amp;\$%*        6YUfV`.</p> <p>: CFA5HC. 5( </p>	<p>89G# B5uE.C.        8Yg[ bU]cb#6YbYbbi b[.</p> <p>8]a Ybg` Yg[ YfU]g        ; YbYfU`X]a Ybg]cbg</p>	<p>89G9B&lt;C B.        8Fuk ]b[ B,#N`Bf.        DF7` ,</p> <p>HC@9F`aB7-5G; 9F5-G D9CC.        Hc YfUfW`g 8-B`+%, ]a K Y] \h 8%&amp; `"" &amp; [ f`        5 [Ya Y]b]c YfUbn. : Yk ]W`h</p> <p>C6G9F J 5uE 9G        7ca a Ybhg        6Ya Yf_j b[.</p>