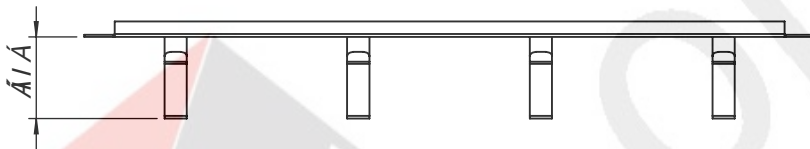
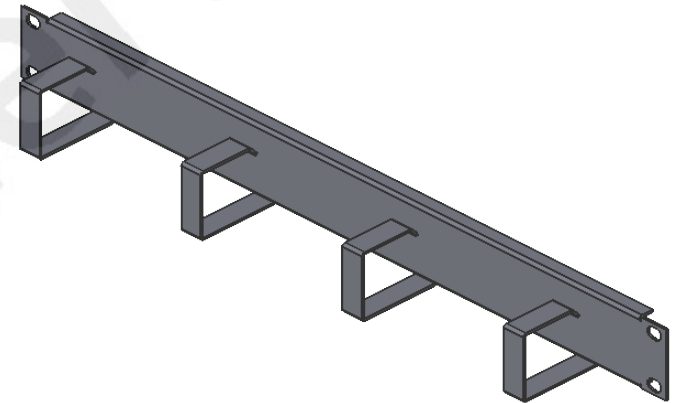
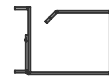
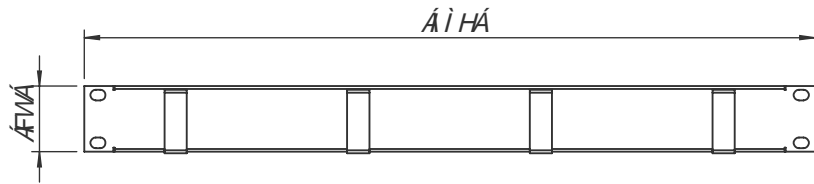




DFCDF-9H5FM588 7CB. 99B45@
 58V450F-C8-1H4B-9P-DEFLICF5G5N<C@K #KCI H4-9 K F4H9B DPA 6G6B C.
 C@9H9@G5-6DFC<4H98
 DFCD-9H5FM585/500F# -HGf90FJ98'

DFCDF-98589 9 7CB. 99B75@68589
 58V450F-C8-1H4B-9P-DEFLICF5G5N<C@K #KCI H4-9 K F4H9B DPA 6G6B C.
 C@9H9@G5-6DFC<4H98
 DFCD-9H5FM585/500F# -HGf90FJ98'



 <p>olivettel s.a. 8YdUfHLa Ybhc XY Dfc^VWc Dfc^VW8YdUfHa Ybh Dfc^Y_h5VhY]i b[</p>	<p>DFC>97HC. Dfc^VW#Dfc^Y_h 97CF57? DU]bY^ XY U]b^Ua Ybhc \cf]ncbHJ XY % % \cf]ncbHJ dUby^</p>	<p>A5H9F-5@ K Yf_gcZz 7\UdU'XY'U,c G'YVhgY'Y'</p> <p>HfUfHa Ybhc XY G dYfZM'Y G fZM'V :]b]g]b[#CVfZU'W'Y. 5bhFUW]h'Y f]g]a Y^Ubh'U'F5@-\$\$) E'ci 'F5@+\$\$' 5bhFUW]h'Y f]g]a]U'f'c'F5@-\$\$) E'c'f'F5@+\$\$'</p>
<p>9G75e5. %) \$ HcXUgUgX]a Ybg'YgYa 'a a W]a #A03 @aHÁ (</p> <p>BCA 9 85H5 BUa Y 8UH#8UH a</p>	<p>89G# B5uE.C. 8Yg[bU]cb#6YbYbbi b[.</p>	<p>89G9B<C B. 8fuk]b[B,#N' Bf. D5@7%</p>
<p>DFC>97H58C. 8Yg[b Vm Dfc^Y_h</p> <p>89G9B<58C. 8fuk b Vm : A &(!%&\$\$%</p> <p>6YU'V'.</p>	<p>8]a Ybg' Yg[YfU]g ; YbYfU^ X]a Ybg]cbg</p>	<p>HC@9FáB7-5G; 9F5-G D9CC. Hc YfU]Wg 8-B'+% , la K Y] \h ' ' ' ' ' + ' f" 5 [Ya Y]bhc YfU]b. : Yk]W'h</p>
<p>: CFA5HC. G]hY# cfa Uh 5(</p>		<p>C6G9F J 5uE 9G 7ca a Ybhg 6Ya Yf_j b[.</p>