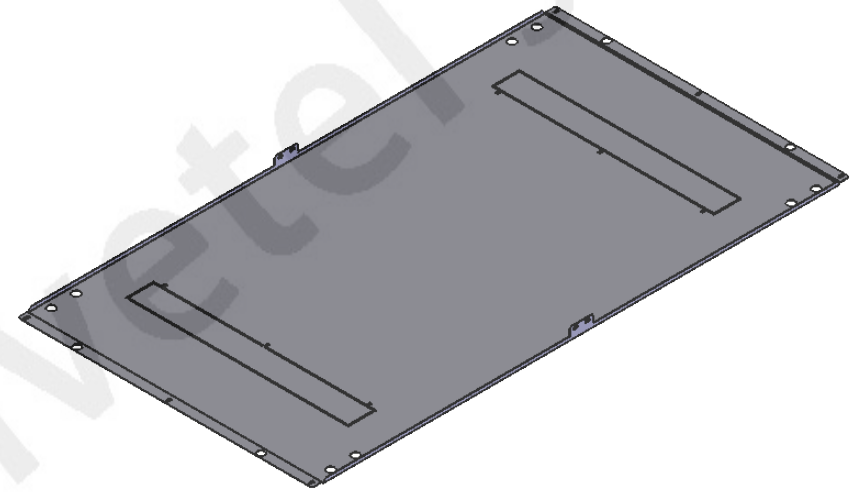
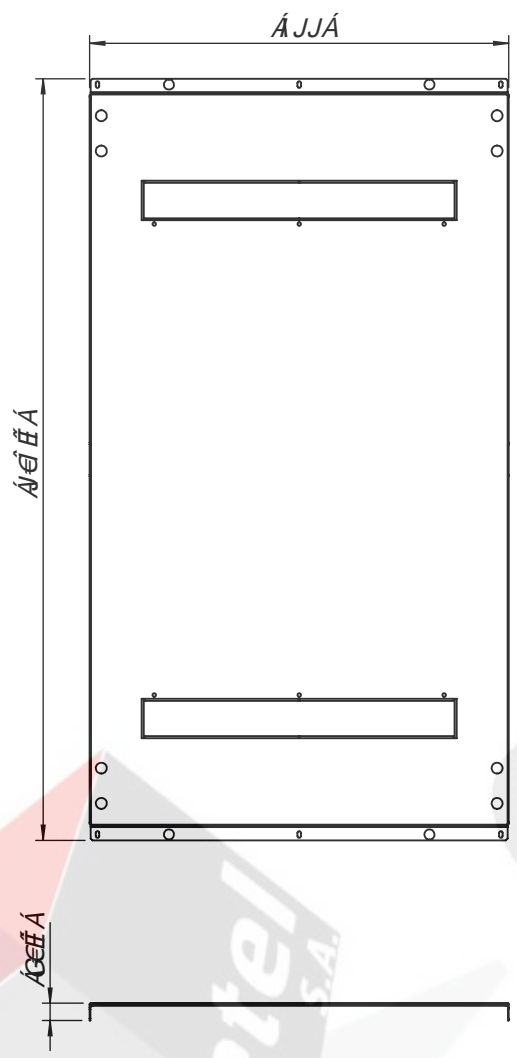



DFCDF-9H5FM588 7CB. -99B75@6589
 58V#50F-C8-#H#Z-B-DE#HUCF5G5 N<C@#K #C#I H#<9 K I #H#B D#A 6G6B C.
 C@#9#9@G#-GDFC<6#H#<
 DFCDF-9H5FM585/500F# -HGf90FJ98'

DFCDF-98589 9 7CB. -99B75@6589
 58V#50F-C8-#H#Z-B-DE#HUCF5G5 N<C@#K #C#I H#<9 K I #H#B D#A 6G6B C.
 C@#9#9@G#-GDFC<6#H#<
 DFCDF-9H5FM585/500F# -HGf90FJ98'



 <p>olivettel s.a. 8YdUfHLa Ybhc XY Dfc^YVhc Dfc^YVh8YdUfHa Ybh Dfc^Y_h5VhY]i b[</p>	<p>DFC>97HC. Dfc^YVh#Dfc^Y_h 97CF57?' : i bXc XY %\$\$\$a a 'Ufa z]c'dUj]a Ybhc %\$\$\$a a 'Vc#rca 'VUg/ Zccf VVh]bYh</p>	<p>A5H9F-5@ K Yf_gcZz</p> <p>7\UdU'XY'U,c G\YhghY'</p> <hr/> <p>HfUfHa Ybhc XY G dYfZM'Y G fZM' :]b]g]b] #CVfZU'W'Y. 5bhFUM'Y' f]g]a Y'\Ubh' U'F5@- \$\$) t 5bhFUM'Y' f]g]a] Uf'hc F5@- \$\$) t</p>
<p>9G75@5. % %\$ HcXUg UgX]a Ybg' YgYa 'a a Wj a#A03 @a#A (</p> <p>BCA 9 85H5 BUa Y 8UH#8UH a</p> <p>DFC>97H58C. 8Yg] b Vm Dfc^Y_h</p> <p>89G9B<58C. 8Fuk b Vm >7 && %04 &\$% 6YU'V'</p> <p>: CFA5HC. G]hY# cfa Uh 5(</p>	<p>89G# B5uÉC. 8Yg] bU]cb#6YbYbbi b[.</p> <p>8]a Ybg' Yg [YfU]g ; YbYFU' X]a Ybg]cbg</p>	<p>89G9B<C B. 8Fuk]b[B,#N' Bf. :]WU'hyVb]WU# H'YVh]WU' g\Yh 8%&'97: l \$\$\$\$\$\$\$%\$</p> <hr/> <p>HC@9FáB7-5G; 9F5-G D9CC. Hc YfUbWg K Y] \h ') & (" * + [f" 5 [Ya Y]b]c YfUbn. 8-B'+% , !a : Yk]W'h</p> <p>C6G9F J 5uÉ 9G 7ca a Ybhg 6]a Yf_j b[.</p>