

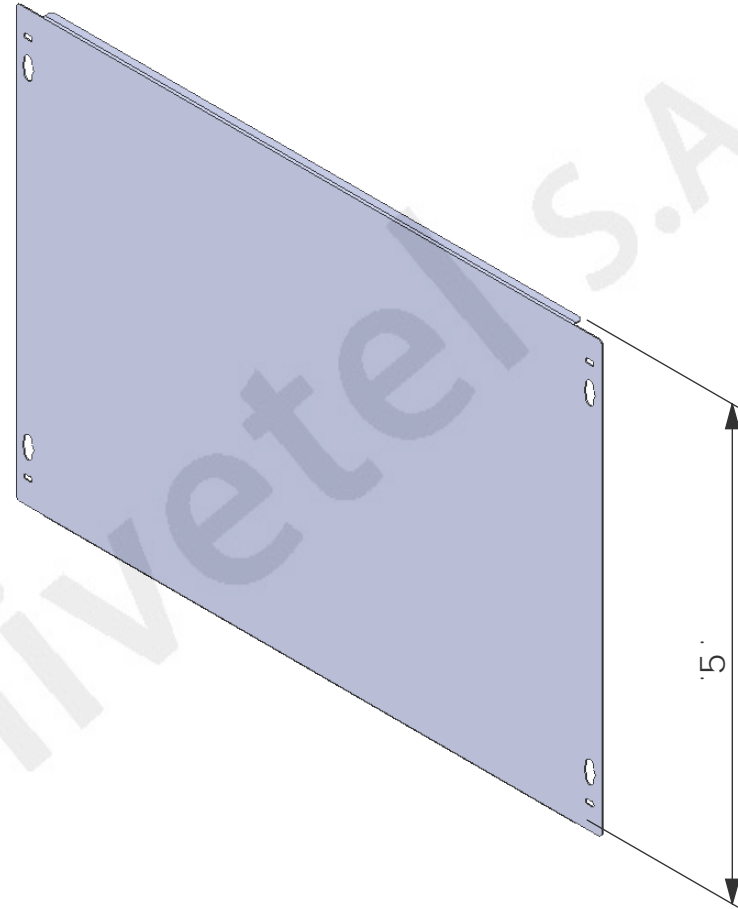
DFCDF-9H5FM5B8 7CB. 99B7.5@6589  
 5BVF50F-C8-HHCB-9-DEHUCF5G5 N<C@K #KCI HH-9 K FH9B DPA 6G6B.C.  
 C@9H9@G- GDC<6H98  
 DFCDF-9H5FM5B8/500F# -HGF-90FJ98


DFCDF-98589 9 7CB. 99B7.5@6589  
 5BVF50F-C8-HHCB-9-DEHUCF5G5 N<C@K #KCI HH-9 K FH9B DPA 6G6B.C.  
 C@9H9@G- GDC<6H98  
 DFCDF-98589 9 7CB. 99B7.5@6589

97 7 H \$\$\$\$\* \$\$\$\$  
 : i bXc 'hUgY]fc 'dUfU Ufa z f]c 'a i fU''XY '\* I ''  
 FYUf'dUbY''Zcf\*I 'k U''la ci bh'X 'WUV]bYh  
 51 &+% a

97 7 H \$\$\$\$- \$\$\$\$  
 : i bXc 'hUgY]fc 'dUfU Ufa z f]c 'a i fU''XY '-I  
 FYUf'dUbY''Zcf-I 'k U''la ci bh'X 'WUV]bYh  
 51 (\$) a a

97 7 H \$\$\$% \$\$\$\$  
 : i bXc 'hUgY]fc 'dUfU Ufa z f]c 'a i fU''XY '% I '  
 FYUf'dUbY''Zcf% I 'k U''la ci bh'X 'WUV]bYh  
 51 '\*+% a



 <p>olivetel s.a.        8YdUfHLa Ybhc XY Dfc^YVhc        Dfc^YVh 8YdUfHa Ybh        Dfc^Y_h5VhY]i b[</p>	<p>DFC&gt;97HC.        Dfc^YVh#Dfc^Y_h  <b>97CF57?</b>        : i bXc 'hUgY]fc 'dUfU Ufa z f]c 'a i fU''        FYUf'dUbY''Zcf k U''la ci bh'X 'WUV]bYh</p>	<p>A 5H9F-5@        K Yf_gcZz        7\UdU'XY'U_c        G'YVhgY'Y</p>
<p>9G75e5.        % )        HcXUg UgXJa Ybg^YgYa 'a a        Wj @ 803 @ 804 (</p>	<p>89G# B5uE.C.        8Yg[ bU]cb#6YbYbbi b[.</p>	<p>HfUfHa Ybhc XY G dYfZM'Y        G fZM' : ]b]b] #CVfZU'W'Y.        5bh'U'W'Y f]gYa Y'\Ubh'Y'U'F5@- \$\$) L        5bh'fU'W'Y f]gJa ]Uf hc'F5@- \$\$) L</p>
<p>DFC&gt;97H58C.        8Yg[ b Vm        Dfc^Y_h        89G9B&lt;58C.        8Fuk b Vm &gt;7 &amp;&amp;]%%d &amp;\$%*        6YUfV'.        : CFA5HC.        G]hY# cfa Uh</p>	<p>8]a Ybg^ Yg[ YfUg        ; YbYfU^X]a Ybg]cbg</p>	<p>89G9B&lt;C B.        8Fuk ]b[ B,#N' Bf.        : ]WU'hyVb]WU #HYVkb]WU'g'Yyh        HC@9F aB7-5G; 9F 5-G        Hc YfU'W'g 8-B'+% , !a D9CC.        5 [Ya Y]b]c YfUbn. : Yk ]W'h</p>