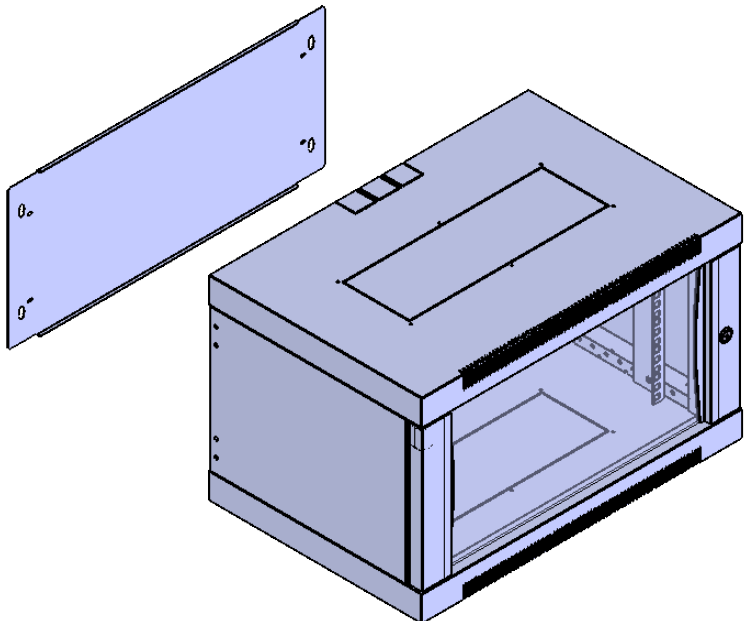
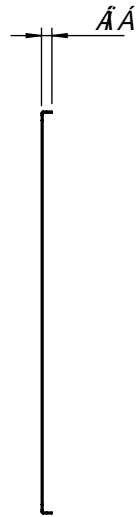
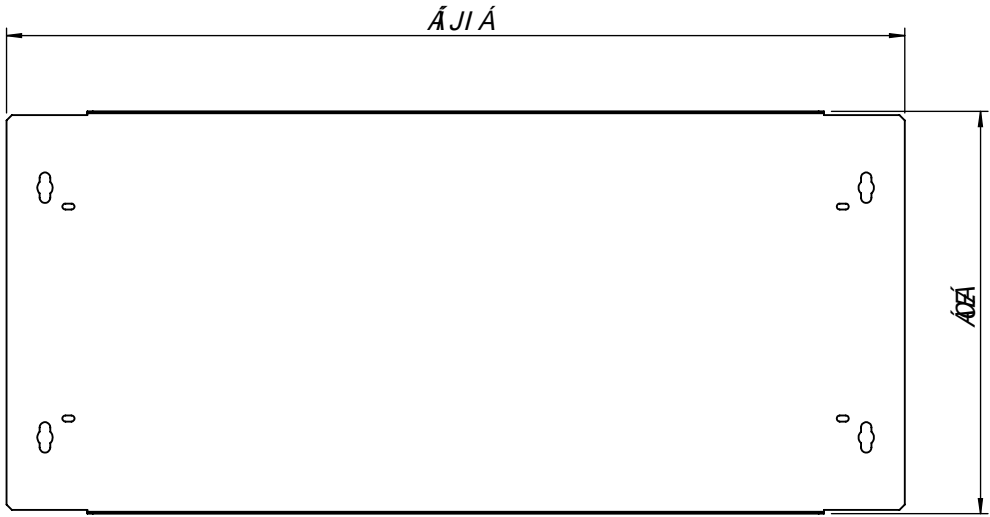




DFCDF-9H5FM5B8 7CB. 99H45@  
 5B1F50F-C81H4B-B1DFH1CF5G5N<C@K #KCHH<9 K1H4B DPA 6G6B.C.  
 C@9H9@G-4DFC<4H8\*  
 DFCD-9H5FM5H5/5@F# <HGF90FJ98\*

DFCDF-98589 97CB. 99B7.5@8589  
 5B1H45 B4Y9 890P.C:97M C15DFCD-98589 85C@9H4@G5\*  
 E15C1950C7C1D0775@C1H15@9A C7C8@9H4@9HC 90T4C95  
 C@9H9@G5\*DFC6485  
 7CA1 B758C 7CAC 09 F98C 9ADF90F.5@F90FJ58C9HC8CG.CC8F9HCG



h°@k° o° U .....  
 h°@k° o° U .....  
 h°@k° o° U .....  
 h°@k° o° U .....  
 h°@k° o° U .....

 <b>olivitel</b> s.a. 8YdUfHLa Ybrc XY Dfc^YVtc Dfc^YVW8YdUfHa Ybh Dfc^Y_h5VhY[i b[	DFC>97HC. Dfc^YVW#Dfc^Y_h  <b>5A</b>	A5H9F-5@ # K Yf_gcZz 0
9G75e5. % %\$ HcXUg UgXJa Ybg YgYa 'a a Wj a A00 @ 8H4 (	89G# B5uÉC. 8Yg[ bUñcb#6YbYbbi b[.	HFUfLa Ybrc XY G dYfZMfY G fZMf : j]g]b[ #CVfZUWfY. k' O k' O k' O k' O
DFC>97H58C. 8Yg[ b Vm Dfc^Y_h 89G9B<58C. 8fuk b Vm : A % !\$& &\$%+ 6YUfV.	J]gUg; YfU]g 8fuk ]b[ J]Yk g	89G9B<C B. 8fuk ]b[ B,#N' Bf.  D5#F5G'5A
: CFA5HC. GñY# cfa Uh 5(		HC@9FáB7-5G; 9F5-G Hc YfUfWg 8-B'+% ,!a D9CC. 5 [Ya Y]brc YfUbn. : Yk ]Wf C6G9FJ 5uÉ 9G 7ca a Ybhg 6Ya Yf_j b[.