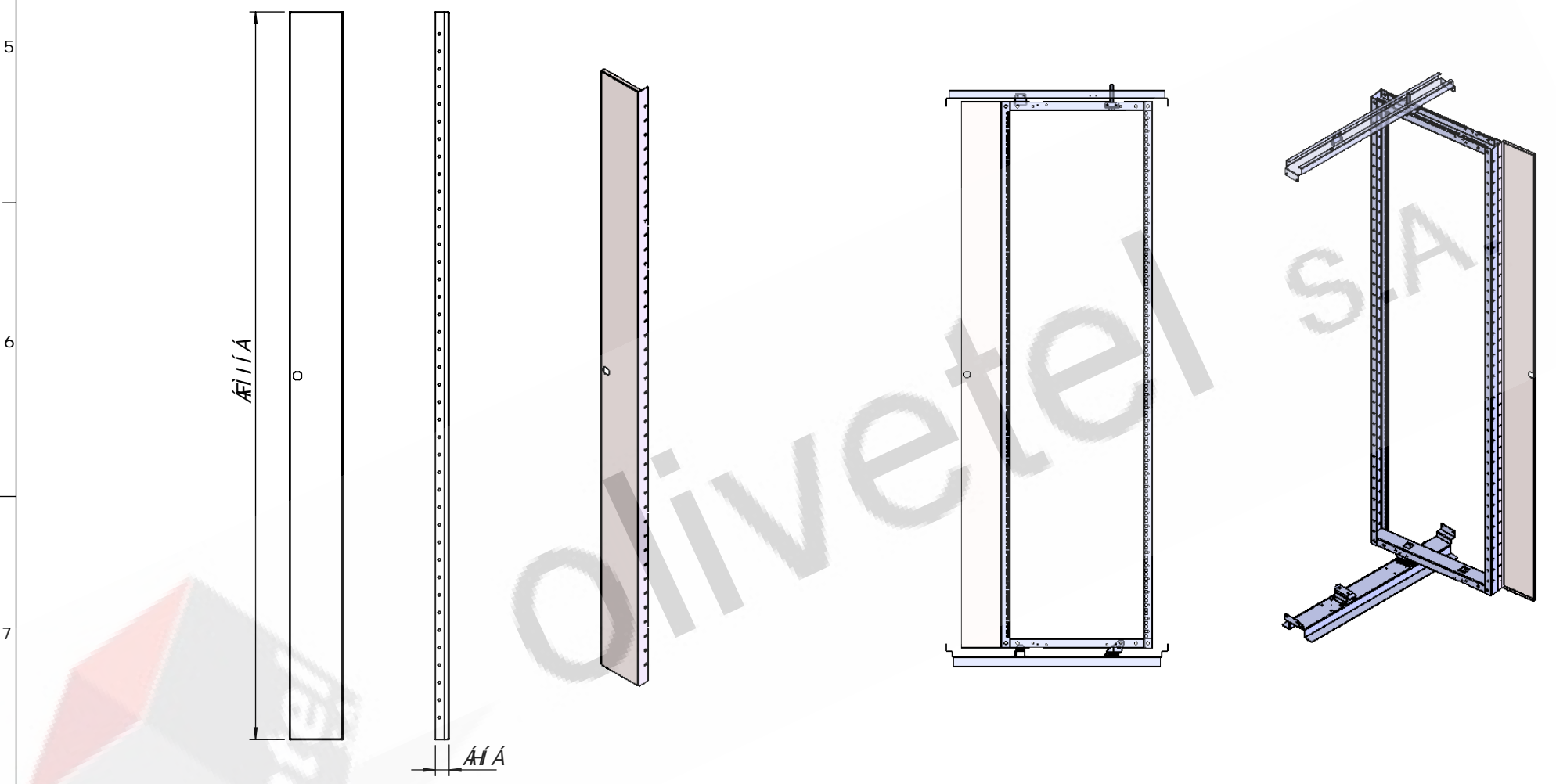



DFCDF-9H5FM588-7CB, -99BH5@  
 58VH50F-C9-THZ-B-DEHJCF5G5N<C@K #KCI TH<9 K FHHB DPA 6G6B C.  
 C@9H9@G- GDFC<4H88  
 DFCDF-9H5FM585/5@F# -HGf-90FJ98

DFCDF-98589-97CB, -99B7-5@8589  
 58VH50F-C9-THZ-B-DEHJCF5G5N<C@K #KCI TH<9 K FHHB DPA 6G6B C.  
 C@9H9@G- GDFC<4H88  
 DFCDF-9H5FM585/5@F# -HGf-90FJ98



 <b>olivettel</b> s.a. 8YdUfHLa Ybrc XY Dfc^YVtc Dfc^YVW8YdUfHa Ybh Dfc^Y_h5VhY[i b[	DFC>97HC. Dfc^YVW#Dfc^Y_h 95	A5H9F-5@ K Yf_gczZ 7\UdU'5, c; Uj Ub]nUXc ; Uj Ub]nYX'g.YYhgYY' HFUfHa Ybrc XY G dYfZMYY G fZM' : ]b]g]b[ #cVYfZUWXY. F5@+*)
9G75@5. %&\$ HcXUg UgXJa Ybg YgYa 'a a Wj a@A@ @A# (	89G# B5uEC. 8Yg[ bUn]cb#6YbYbbi b[. J]gUg; YfU]g 8fUk ]b[ j YK g : YWc'd# 9ghf h fU'D]j "% 'dUfU' Ufa z]c' 51&\$S\$a a @cW' Zcf % 'D]j ch]b[ 'Ghf Vh f' hc' \$\$\$a a '7UV]bYhg	89G9B<C B. 8fUk ]b[ B,#N' Bf. - ° 7h@ - HC@9F aB7-5G; 9F 5-G Hc YfU]bWg 8-B'+% , la 5 [Ya Y]brc YfUbn. : Yk ]W'h C6G9F J 5uE 9G 7ca a Ybhg 6Ya Yf_j b[.