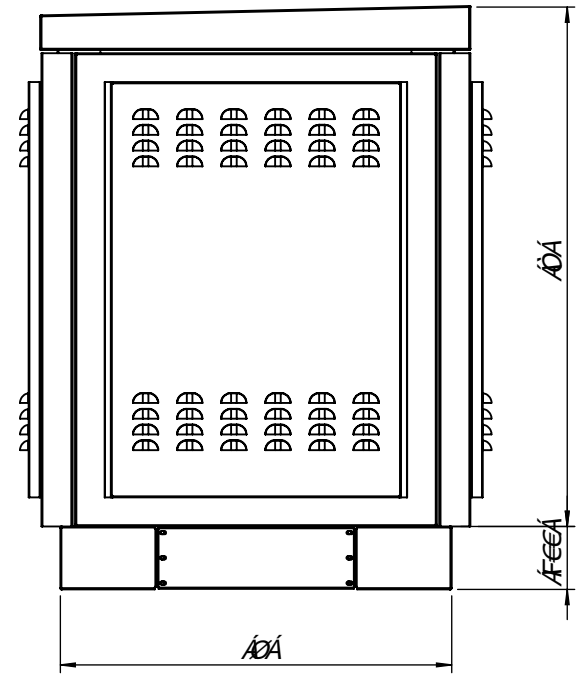
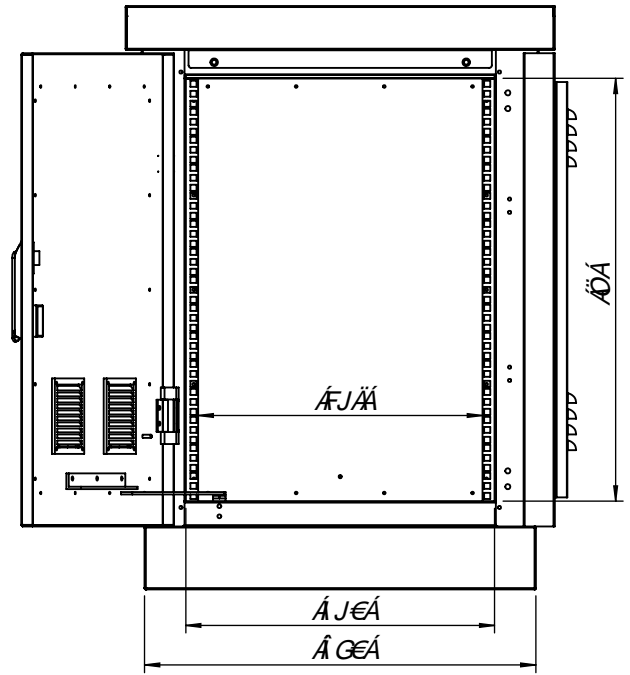
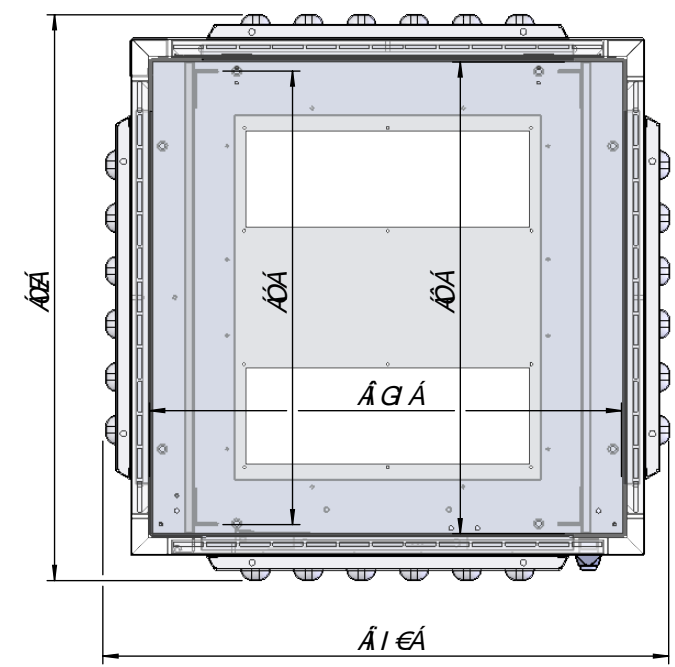


DFC<F>9H5FM588 7GB. @9B4H5@
 58V4E5Q<C>H4B. @DFH4C<F>5G5N<C>@K #KCI H4-9 K I H4B DPA 6G6B.C.
 C@9H5@G5<V>DFC 6R85
 DFCDF 9H5FM585/588F # <HGF 90F J98

DFC<F>98589 9 7GB. @9B7.5@8589
 58V4E5Q<C>H4B. @DFH4C<F>5G5N<C>@K #KCI H4-9 K I H4B DPA 6G6B.C.
 C@9H5@G5<V>DFC 6R85
 7CAI B/758C 7CAC @F 98C 9A<DF 90F 5@/F 90F J586C H4C C G C 8F 9 H C G



5! DfcZ bX]XUXY`Yi hYf]cf #`9i hYfbU`XYdh
 6! FUMg `dfcZ bX]XUXY`h` # FUMg`i gYz `XYdh
 7! DfcZ bX]XUXY`h`]bhYf]cf #`bg]XY`i gYz `XYdh
 8! 5VYfh fU`h` fVa` U`hi fUk`#`i gYz `cdYb]b[f]Y]]Vt
 9! 5`hi fU`Yi hYf]cf fYy` dYXYghU`E`#`<Y]]\`hfk]h`ci`h`dYXYghU`E`
 : ! DfcZ bX]XUXY`dYXYghU` #`DYXYghU` XYdh`

Modelo / Model	A	B	C	D	E	F
OCOPBUV157454	540	400	424	671	825	420
OCOPBUV157474	740	600	624	671	825	620
OCOPBUV227454	540	400	424	893	1135	420
OCOPBUV227474	740	600	624	893	1135	620
OCOPBUV307454	540	400	424	1338	1490	420
OCOPBUV307474	740	600	624	1338	1490	620

olivetel s.A.

8YduUfHa Ybrc XY Dfc`YVtC
 Dfc`YVh 8YduUfHa Ybh
 Dfc`Y_h 5VhY]i b[

9G75@5. %) \$ HcXUg Ug XJa Ybg Yg Ya` a a
 Wj @ A0@ @ 8A4 (

BCA 9 85H5
 BLa Y 8UH#8UH a

DFC>97H58C.
 8Yg] b Vm
 Dfc`Y_h

89G9B<58C.
 8Fuk b Vm >7 \$-!%&\$\$%

6YUV".

: CFA5HC.
 Gny# cfa Uh 5(

DFC>97HC.
 Dfc`YVh#Dfc`Y_h

C@F57?
 Ci hXccf`XY`dUfYXY`Xi`d`U
 8ci`V`Y`k`U`ci`hXccf`VWV]bYh

89G≠ B5uE.C.
 8Yg] bU]cb#6YbYbbi b[.

8]a Ybg Yg [YfUj
 ; YbYU`X]a Ybg]cbg

A5H9F-5@
 K Yf_gczZ ; Uj Ub]nUXZ`U`i a]b]c`ci`]bcl
 ; Uj Ub]nYXZ`U`i a]bi`a` cf`ghU]b`YggghY`

HfUfHa Ybrc XY G dYfZM`Y
 G fZM` ;]bg]b] #C#VYZUWXY.
 FU`+`\$`)

89G9B<C B .
 8Fuk]b[B`#N`Bf.
 :]WU`H`Vb]WV`#`HYWb]WV`g`Yyh

HC@9F A B7-5G ; 9F 5-G
 Hc`YfU]Wg 8-B`+`%` ,!a D9CC.
 5 [Ya Y]brc YfUbn : Yk]Wb
 8Yg]b]c`fY]]ghUc`dY`c`-BD`-fk`k`k`]bd]`dht
 C69F J 5uE 9G B, &\$\$% &\$\$% -`& (Z V0X] [c] (-`-`z`dfc`Wgp` (*`S`+1
 7ca a Ybg FY]]ghYfYX XfUk]b] Vmi`BD`-fk`k`k`]bd]`dht
 6Ya Yf] b]. B, &\$\$% &\$\$% -`& (Z V0X Y) (-`-`z`dfc`Wgp` (*`S`+1`