



ecorack[®]

19" FLOOR-STANDING ENCLOSURE CABINETS



OLIVETEL SA

ÍNDEX

Contents

General information, standards and CE compliance	1
Range and dimensions	2
Reliable with productivity, quality and safety	5
Scalability and accessories	6
Company's information and contacts	7

ECORACK - 19" FLOOR-STANDING ENCLOSURE CABINETS

General information, standards and CE compliance

INTRODUCTION

With over two decades of experience, we have created a concept and a production line of enclosure cabinets that have the ability to provide an easy and fast installation, with the most competitive price on the market, while maintaining the level of quality required by the standards of the European community for equipment's and installations on the Information and Communication Technology (ICT) sector.

The ECORACK concept allows the possibility to provide enclosure cabinets in "kits" Flat Pack including the operating manual, or they can be assembled according to the customer requirements.

This production line of enclosure cabinets contemplates a set of possible configurations with tempered glass doors, perforated metal doors, half perforated doors and entire panels, as well as a set of accessories extremely easy to put on, according to the installation requisites.



STANDARDS AND CE COMPLIANCE

- 19" according EIA 310 D / DIN 41 494 / IEC 60 297
- IP20 according DIN 400 50 / IEC 60 529
- European directives 2014/35/CE (Low Voltage Electrical Equipment)
- European directives 2014/53/CE (telecommunications terminal equipment)

ECORACK - 19" FLOOR-STANDING ENCLOSURE CABINETS

Range and dimensions

CONFIGURATION POSSIBILITIES

The presented dimensions and configurations guarantee an adequate response to any kind of installation, allowing the customer to choose how to receive the equipment (kit or assembled), according to the logical and operational constraints of the installation or project.

DIMENSIONS

ECORACK FLOOR-STANDING ENCLOSURES 19 WITH:

(1X) TEMPERED GLASS FRONT DOOR

(2X) SOLID SIDE PANELS

(1X) SOLID REAR PANEL

PRODUCT CODE ASSEMBLED	PRODUCT CODE KIT FLAT PACK	U	HEIGHT (mm)	WIDTH (mm)	DEPTH (mm)	WEIGHT (KG)	DIMENSIONS FLAT PACK (mm)
211.ECAPAHP220606	211.ECPDAHP220606	22	1043	600	600	43.5	1120x690x230
211.ECAPAHP220608	211.ECPDAHP220608	22	1043	600	800	50,0	1230x880x230
211.ECAPAHP300606	211.ECPDAHP300606	30	1398	600	600	56	1435x685x220
211.ECAPAHP300608	211.ECPDAHP300608	30	1398	600	800	62	1440x875x220
211.ECAPAHP420606	211.ECPDAHP420606	42	1932	600	600	72	1985x690x230
211.ECAPAHP420608	211.ECPDAHP420608	42	1932	600	800	81	1985x845x230
211.ECAPAHP420808	211.ECPDAHP420808	42	1932	800	800	99.0	1985x845x230
211.ECAPAHP420810	211.ECPDAHP420810	42	1932	800	1000	117	1985x845x230

ECORACK - 19" FLOOR-STANDING ENCLOSURE CABINETS

ECORACK FLOOR-STANDING ENCLOSURES 19 WITH:

(1X) PERFORATED FRONT DOOR

(2X) SOLID SIDE PANELS

(1X) PERFORATED REAR DOOR

PRODUCT CODE ASSEMBLED	PRODUCT CODE KIT FLAT PACK	U	HEIGHT (mm)	WIDTH (mm)	DEPTH (mm)	WEIGHT (KG)	DIMENSIONS FLAT PACK (mm)
211.ECAPCCP420606	211.ECPDCCP420606	42	1932	600	600	68	1985x690x230
211.ECAPCCP420608	211.ECPDCCP420608	42	1932	600	800	77	1985x845x230
211.ECAPCCP420808	211.ECPDCCP420808	42	1932	800	800	94	1985x845x230
211.ECAPCCP420810	211.ECPDCCP420810	42	1932	800	1000	112	1985x845x230

ECORACK FLOOR-STANDING ENCLOSURES 19 WITH:

(1X) PERFORATED FRONT DOOR

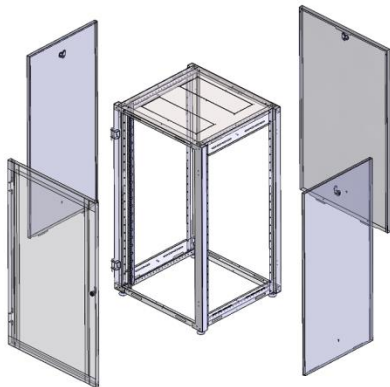
(2X) SOLID SIDE PANELS

(1X) ½ PERFORATED REAR DOOR

PRODUCT CODE ASSEMBLED	PRODUCT CODE KIT FLAT PACK	U	HEIGHT (mm)	WIDTH (mm)	DEPTH (mm)	WEIGHT (KG)	DIMENSIONS FLAT PACK (mm)
211.ECAPCFP420606	211.ECPDCFP420606	42	1932	600	600	68	1985x690x230
211.ECAPCFP420608	211.ECPDCFP420608	42	1932	600	800	76	1985x845x230
211.ECAPCFP420808	211.ECPDCFP420808	42	1932	800	800	94	1985x845x230
211.ECAPCFP420810	211.ECPDCFP420810	42	1932	800	1000	112	1985x845x230

ECORACK - 19" FLOOR-STANDING ENCLOSURE CABINETS

BASIC COMPONENTS



- (1x) Chassis and structure with base opened
- (1x) Top model
- (1x) Base
- (4x) vertical pillars
- (1x) Tempered glass front door w/lock handle and key
- (1x) Rear Panel with easy open lock (Without Key)
- (2x) Side panels with easy open lock (Without Key)
- (4x) 19" Rack Mounting Profiles w/ Adjustable depth system
- (4x) Adjustable height levelers
- (1x) Kit "flat pack" with instructions manual included
- or
- Carton-packaging, stretch film and wooden base for assembled solution.
- Color: Anthracite, Black (similar to RAL 9005)

For more Technical details, please consult or download the technical file in our website:

<http://www.olivetel.pt/catalogo/?cat=16>



ECORACK - 19" FLOOR-STANDING ENCLOSURE CABINETS

Reliable with productivity, quality and safety

Time is a crucial factor when it comes to installation projects, as well as the components that are handled. Our product range was conceived and designed to make productive and safe installations. For this purpose, the Ecorack Floor-Standing Rack Enclosure Cabinets can be delivered in two different ways, assembled or in Kit "flat-pack".

When delivered in Kit, not just the transportation and space are optimized, but it also allows the installer to keep the equipment protected in the working place, until the installations conditions are ensured. All packages include an assembling manual, and it's extremely easy and quick to assemble, without the need of any special tools.

SOME FUNCIONAL ADVANTAGES

- Easily removable door with hinge spring system.
- Reversible door can be installed opening for both sides.
- Rear and side panels removable with quick release system.
- Rack profiles with depth adjustment.
- Pre cuts in coverage for ventilation system or cable routing.
- Possibility to join in row the cabinets.

SAFETY AND QUALITY ASSURANCE

- All components (doors and panels) connected through terminals for grounding connection.
- We guarantee security and trust with all the components provided by us, without any danger of use.
- Toughened Glass application (Glass doors configuration) as European standards.
- Surface treatment with 80 µm of epoxy-polyester textured w/polymerization, designed for industrial applications that confer high mechanical strength and excellent protection of steel sheet.
- Totally free from hazardous materials, Manufacture according to European Directive.



THE GUARENTEE OF A CERTIFIED MANUFACTURER

- Created, conceived and manufactured 100% in National territory with registered brand
- Strategic stock with competitive delivery deadlines.
- Accuracy, strict requirements of international quality standards, evaluation of the non-conformities, re-evaluation of objectives and targets, and immediate response to reclamations according to the process ISO 9001
- Communication, personal and easy access to our professionals and productive units.

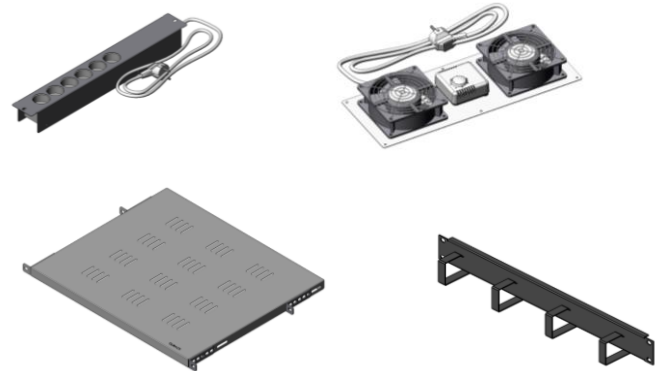
ECORACK - 19" FLOOR-STANDING ENCLOSURE CABINETS

Scalability and accessories

The possibility of gradually developing on its installation was foreseen on the conception and manufacturing.

There is an accessories pack that allows you to adapt the installation according to your needs: the ECORACK ACCESSORIES PACK:

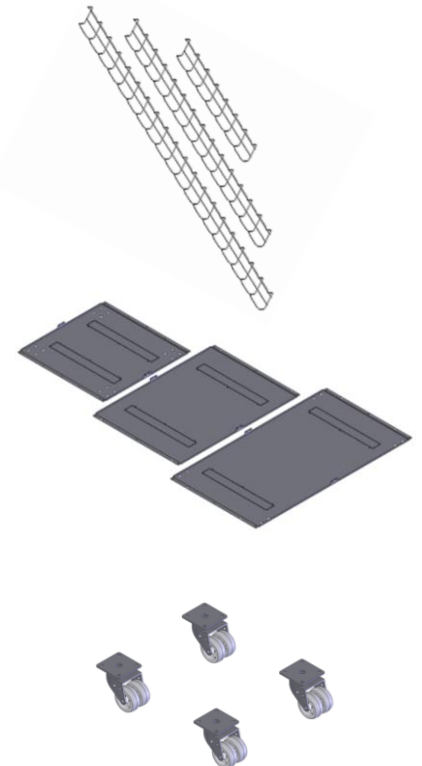
212.ECPK001000000 Pack 01 for Floor-Standing Enclosure Cabinets
Included accessories:
(1x) 6-Outlet Power Strip
(1x) Ventilation unit w/ 2 ventilators + thermostat
(1x) 380 mm depth shelf
(1x) 1 U Horizontal panel



For a better understanding of the existent solutions, we recommend you to consult our accessories table available on our website: <http://www.olivetel.pt/catalogo/?cat=24>

Or you may contact our technical/commercial area in order to obtain personalized advice.

Product code	Description
212.ECES000181003	Wired grid 100x35mm for Floor-Standing Enclosure cabinet 18U
212.ECES000221003	Wired grid 100x35mm for Floor-Standing Enclosure cabinet 22U
212.ECES000341003	Wired grid 100x35mm for Floor-Standing Enclosure cabinet 34U
212.ECES000421003	Wired grid 100x35mm for Floor-Standing Enclosure cabinet 42U
212.ECFU000000006	600mm Bottom base for Floor-Standing Enclosure cabinet
212.ECFU000000008	800mm Bottom base for Floor-Standing Enclosure cabinet
212.ECFU000000010	1000mm Bottom base for Floor-Standing Enclosure cabinet
212.ECKR2F4050000	Pack of 4x double wheels with 50mm diameter
212.ECPF000180000	19" Rack mounting profiles for 18U (set of 2x)
212.ECPF000220000	19" Rack mounting profiles for 22U (set of 2x)
212.ECPF000300000	19" Rack mounting profiles for 30U (set of 2x)
212.ECPF000340000	19" Rack mounting profiles for 34U (set of 2x)
212.ECPF000420000	19" Rack mounting profiles for 42U (set of 2x)
212.ECKJ2FT000000	Double front and rear fixation (Junction kit)



ECORACK - 19” FLOOR-STANDING ENCLOSURE CABINETS

Company’s information and contacts

OLIVETEL SA

Rua da Cruz nº66, Naves Industriais A-B-C-D-E, Algueirão - 2725-663 Mem Martins
Portugal

Phone (+351) 21 922 98 40

Fax (+351) 21 922 98 50

Email: comercial@olivetel.pt

www.olivetel.pt

